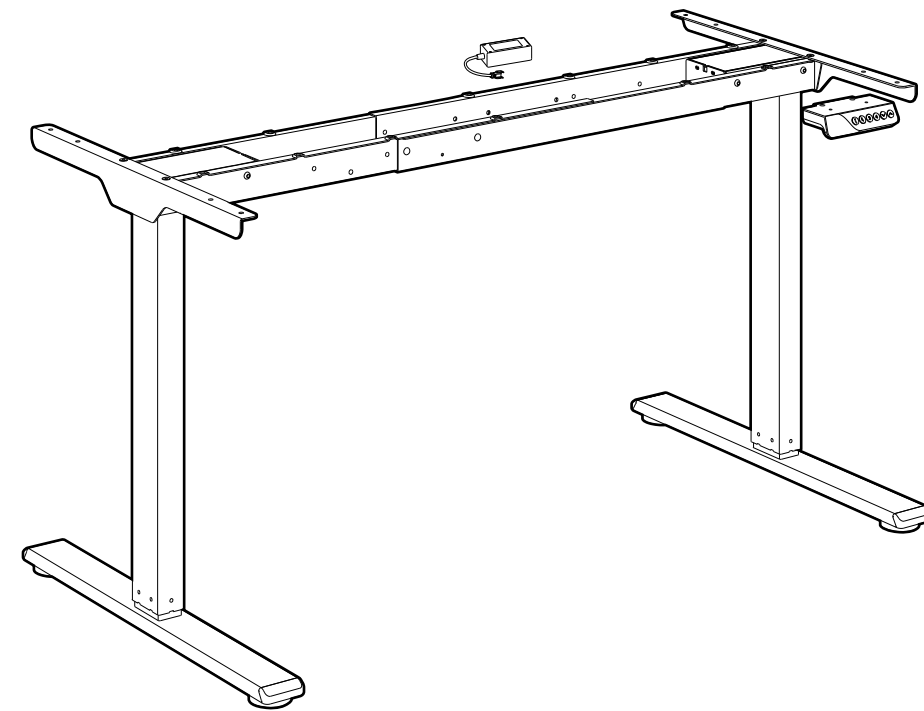




Item No.: Ekoflex 2.0 base

Installation guide



< The pictures below are for reference only, please refer to the actual product. >
Please read this product manual carefully before use, and keep it properly.

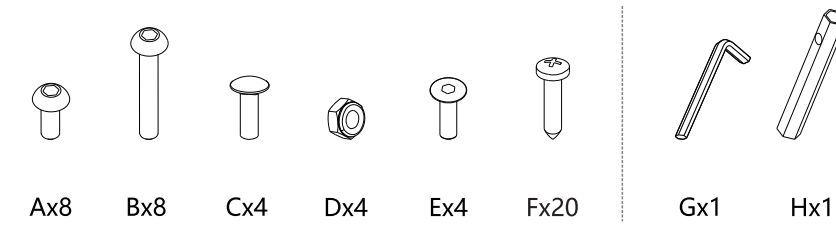
Technical Data

| | |
|--------------------------|---|
| Column Stage | 2 |
| Max. Load Capacity | 100KG |
| Table Frame Width | 1116mm, 1286mm, 1486mm |
| Max. Speed | 25mm/s |
| Lowest Height | 700mm |
| Highest Height | 1190mm |
| Applicable Tabletop Size | Length: 1200mm-1800mm Width: 600mm-800mm Thickness: >18mm |

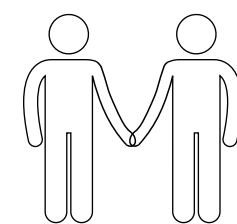
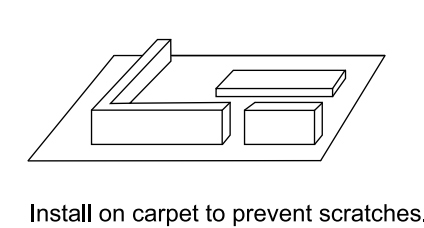
Product List

Accessory List

Note: The line drawings below are for reference only and may differ slightly from the physical product in some cases. Please refer to the actual product for accuracy. If any tools are missing or there are problems with installation, please contact customer service.



Preparation before installation



Need two or more people to cooperate together.

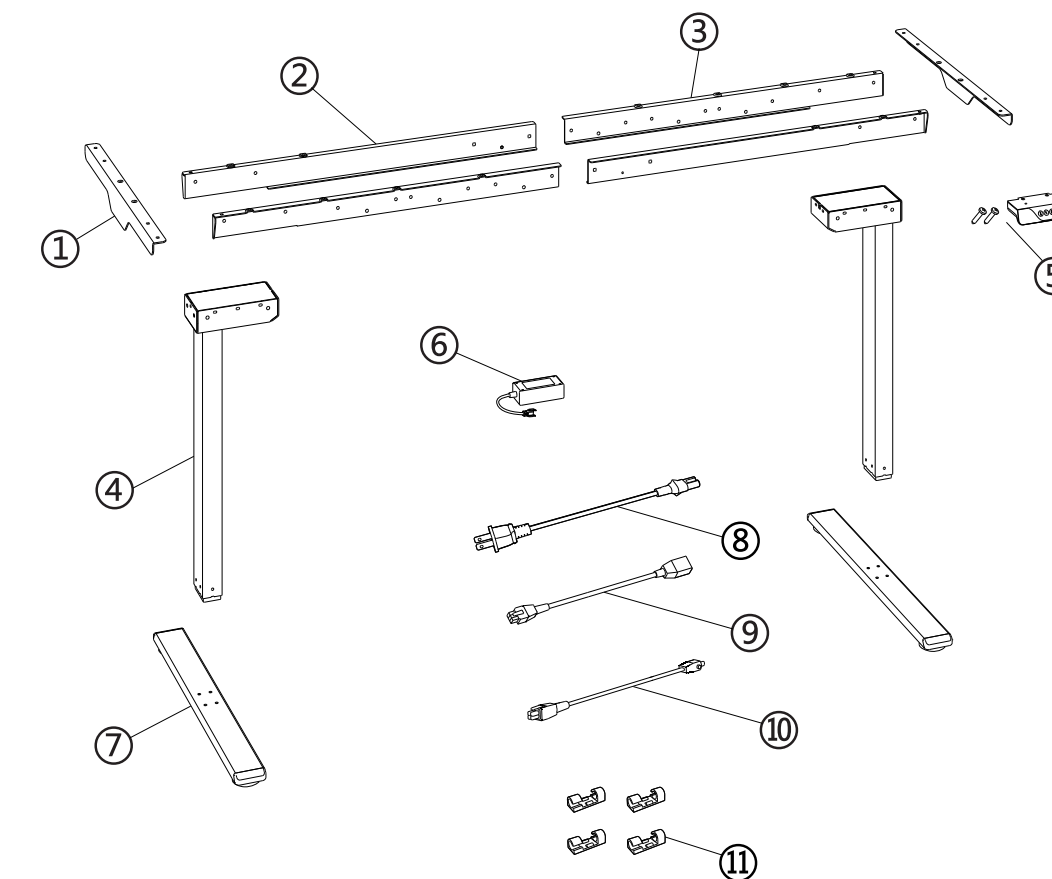
Part List

| No. | Part |
|-----|------------------|
| ① | Side bracket x2 |
| ② | Left beam x2 |
| ③ | Right beam x2 |
| ④ | Column x2 |
| ⑤ | Handset x1 |
| ⑥ | Power adaptor x1 |

Note: Handle screws are stored separately

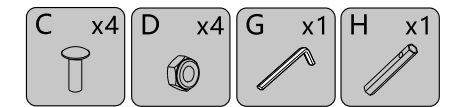
| No. | Part |
|-----|-------------------|
| ⑦ | Pedestal x2 |
| ⑧ | AC power cable x1 |
| ⑨ | Extension cord x1 |
| ⑩ | Adapter cable x1 |
| ⑪ | Cable clip x4 |

Installation Instruction



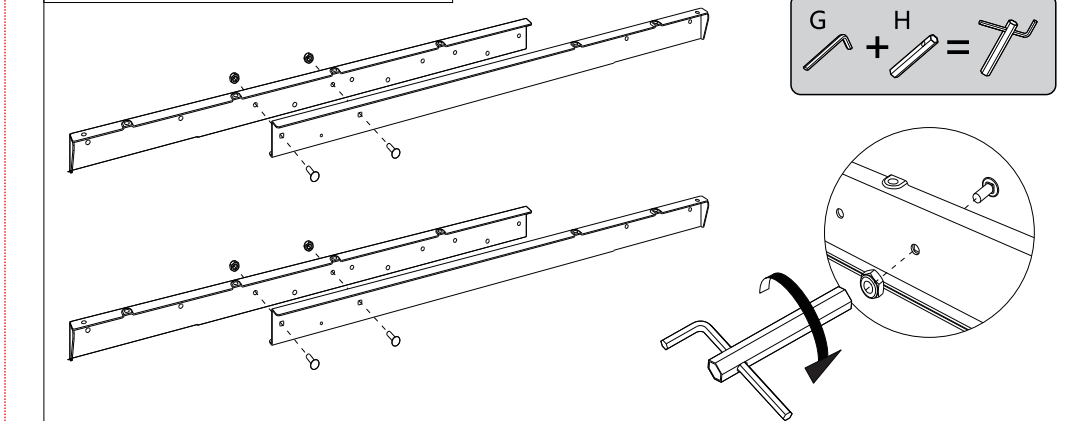
Installation Steps

STEP1 Connect the beams

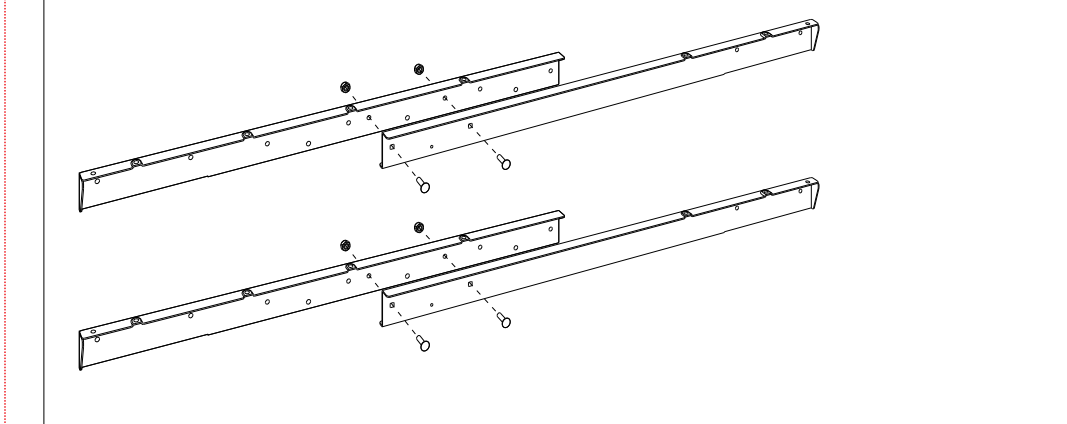


! The beam has three adjustable positions. Please adjust the beam to the appropriate length

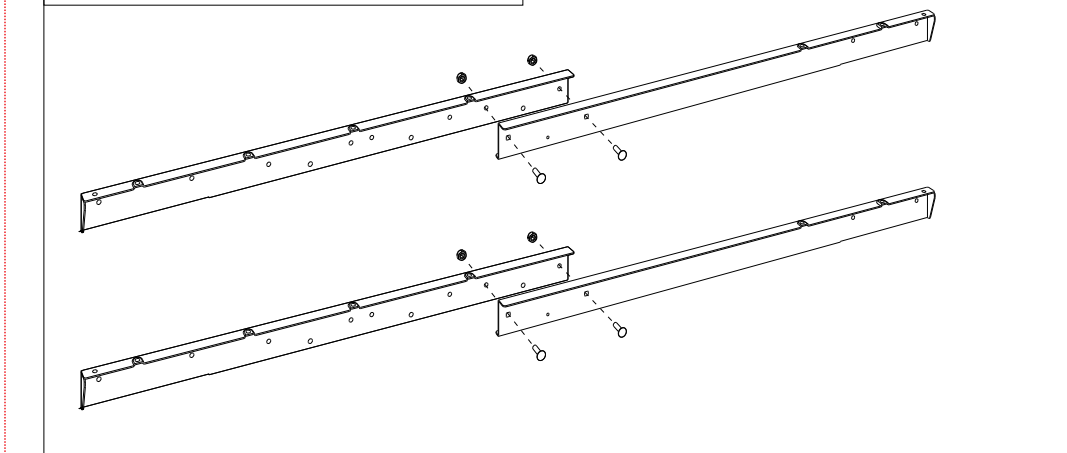
Suitable for a 1200mm desktop



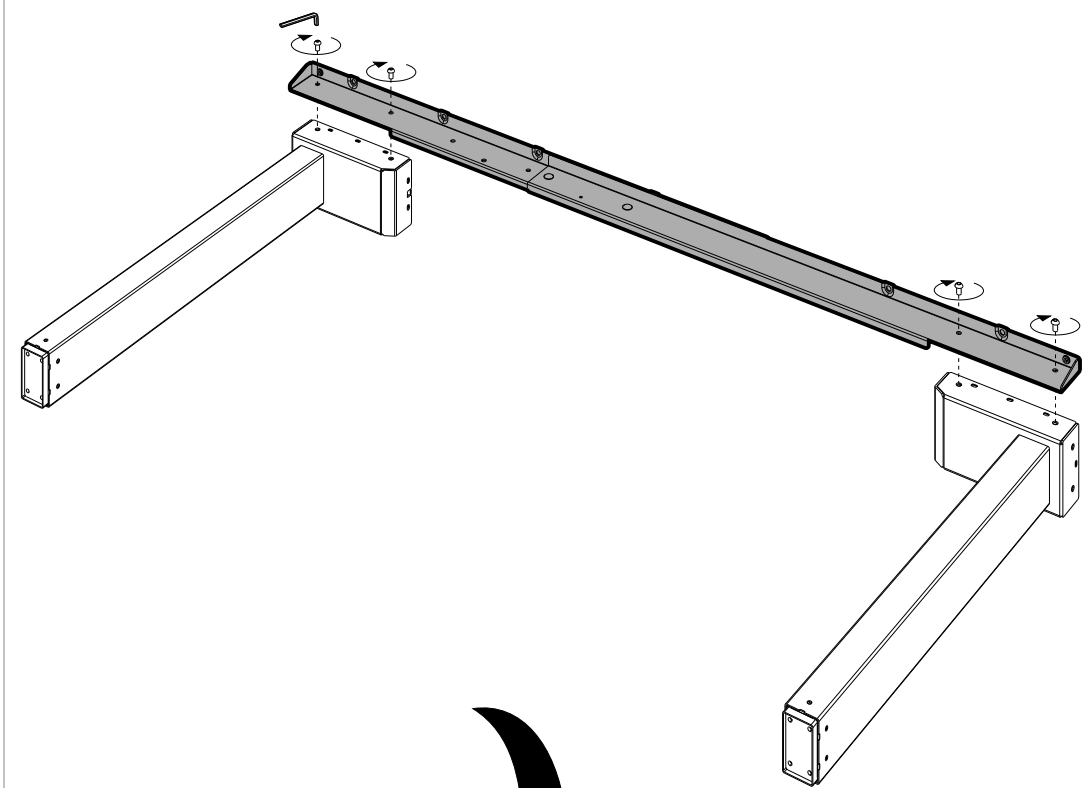
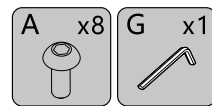
Suitable for a 1400mm desktop



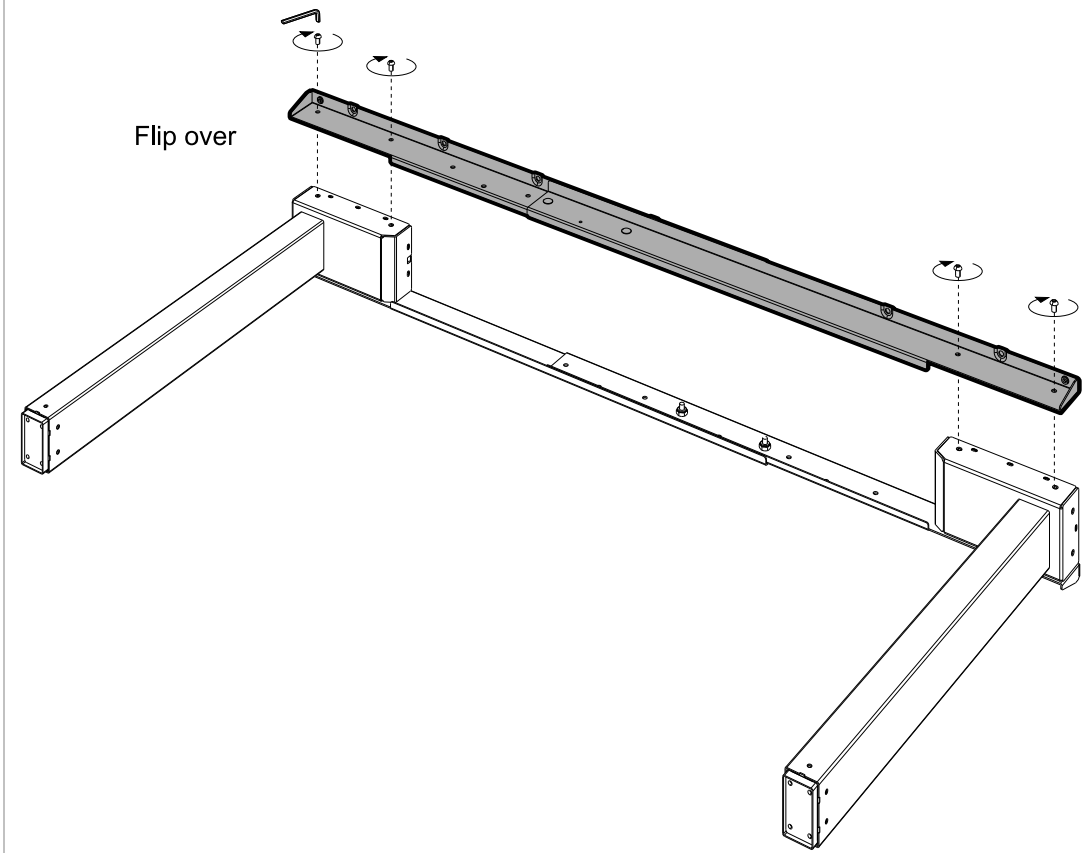
Suitable for a 1600/1800mm desktop



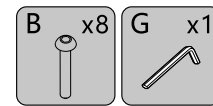
STEP2 Install the beam



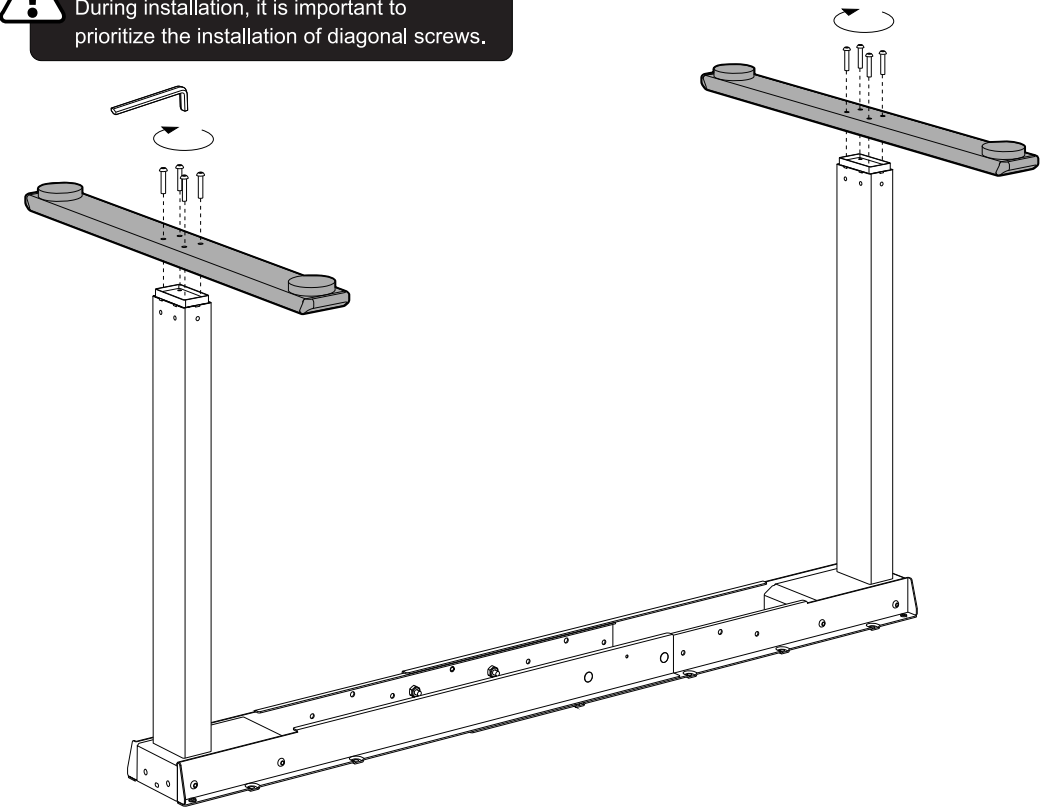
Flip over



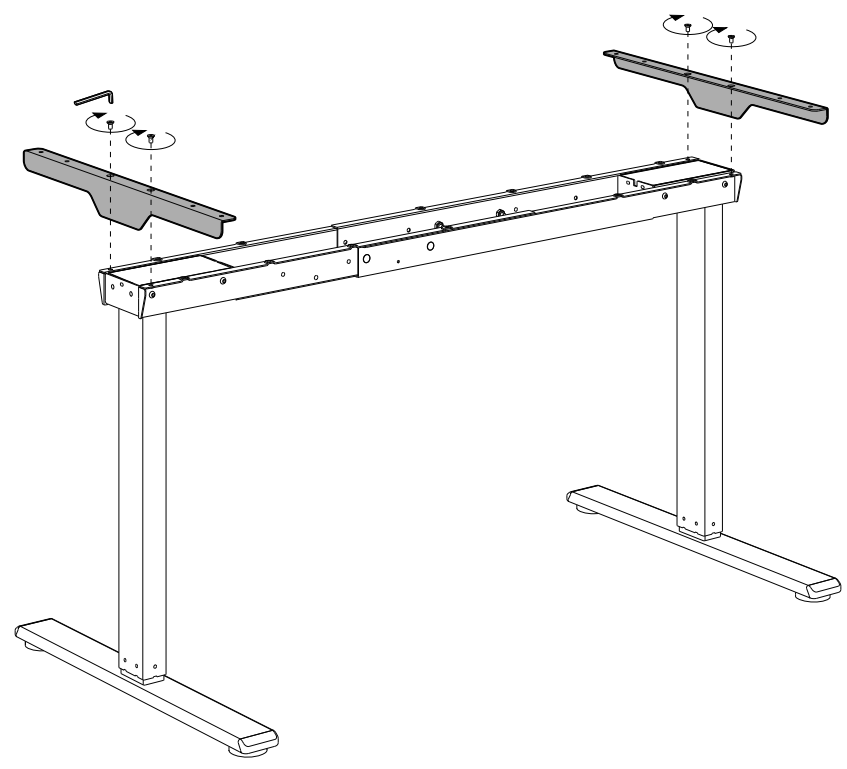
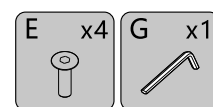
STEP3 Install the Pedestal



! During installation, it is important to prioritize the installation of diagonal screws.

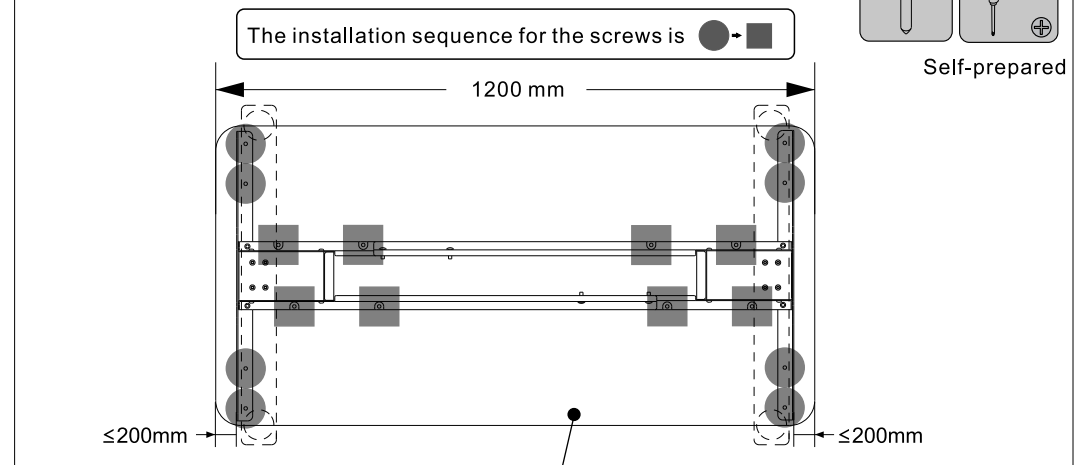
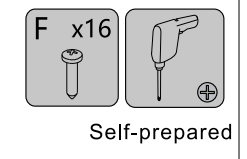


STEP4 Install the bracket



STEP5 Install the Tabletop

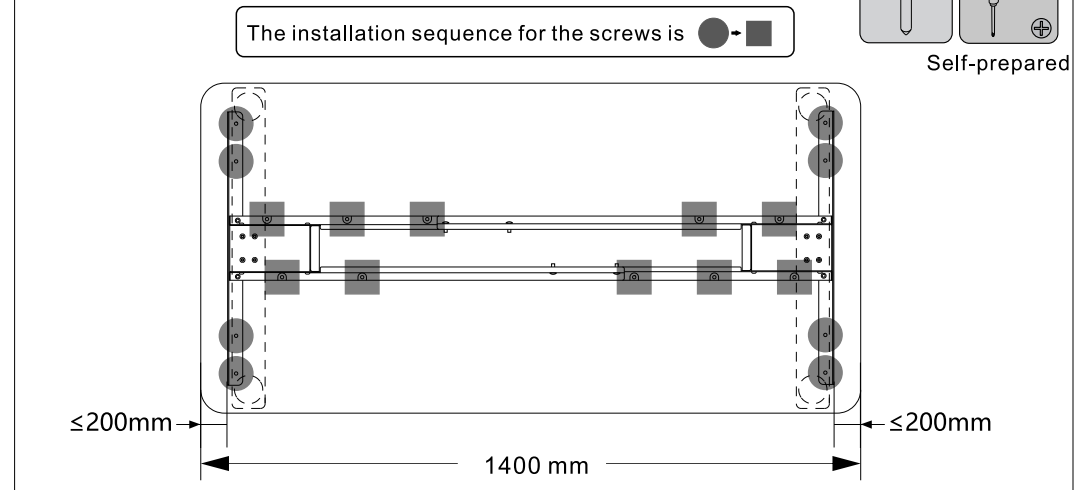
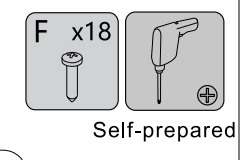
Suitable for a 1200mm desktop



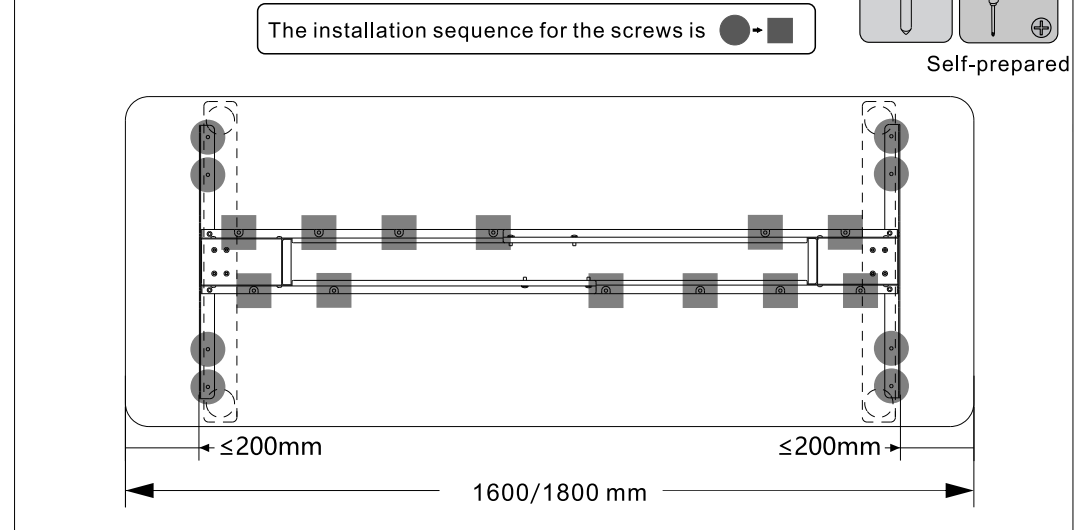
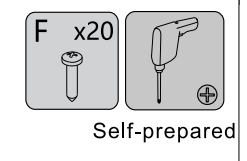
For self-provided tabletops, it is important to ensure sufficient strength. The reference value is 100kg, but the actual weight capacity may vary depending on the specific material of the tabletop.

! The distance between the supporting bracket and the edge of the tabletop should not exceed 200mm.

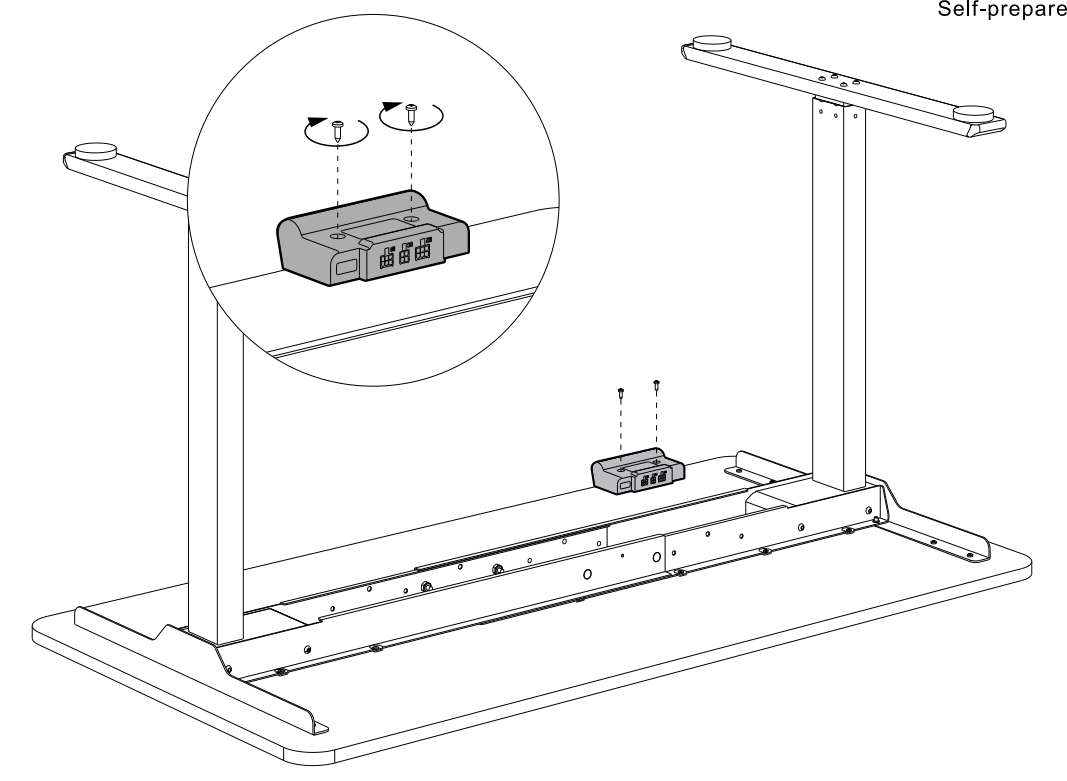
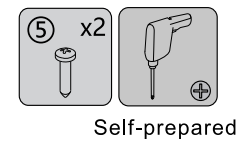
Suitable for a 1400mm desktop



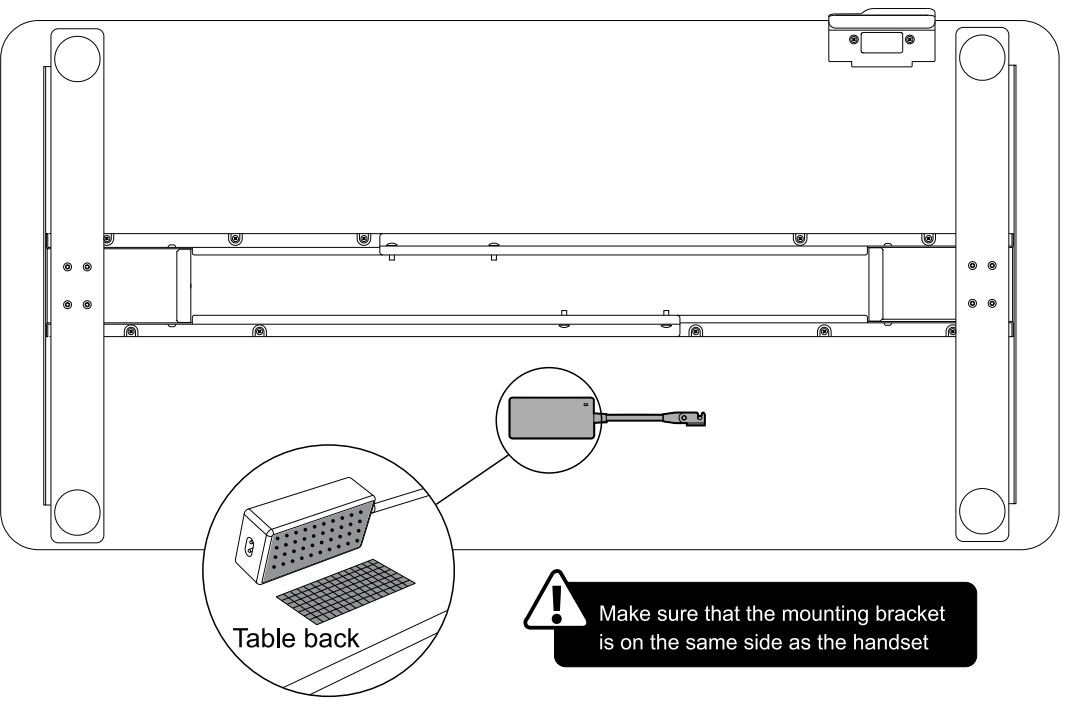
Suitable for a 1600/1800mm desktop



STEP6 Install the Handset



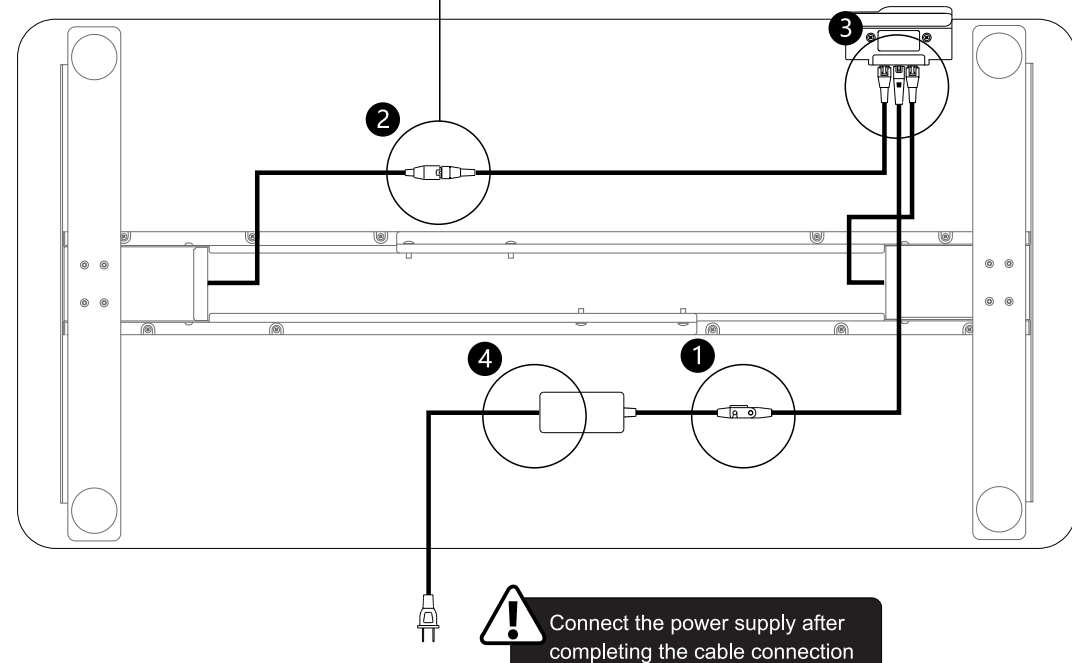
STEP7 Install the adaptor



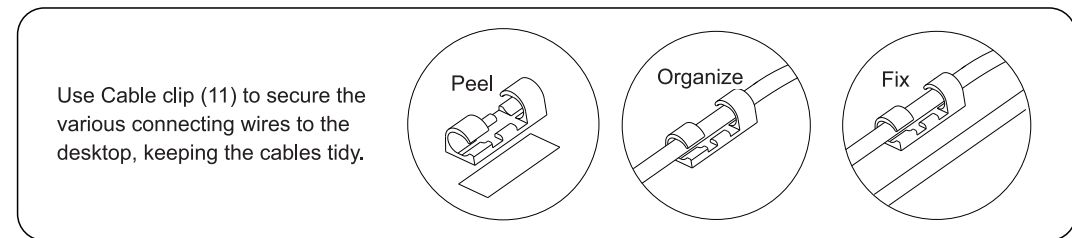
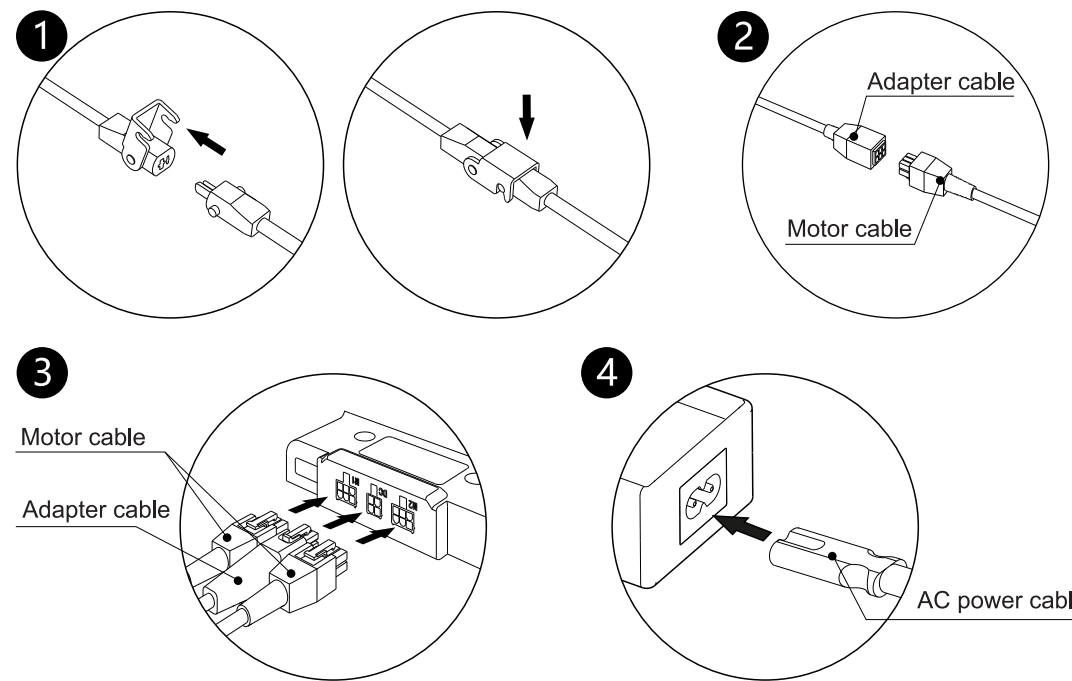
! Make sure that the mounting bracket is on the same side as the handset

STEP8 Connect the cables

! If the motor cable can be directly plugged into the handset, there is no need to connect an extension cable

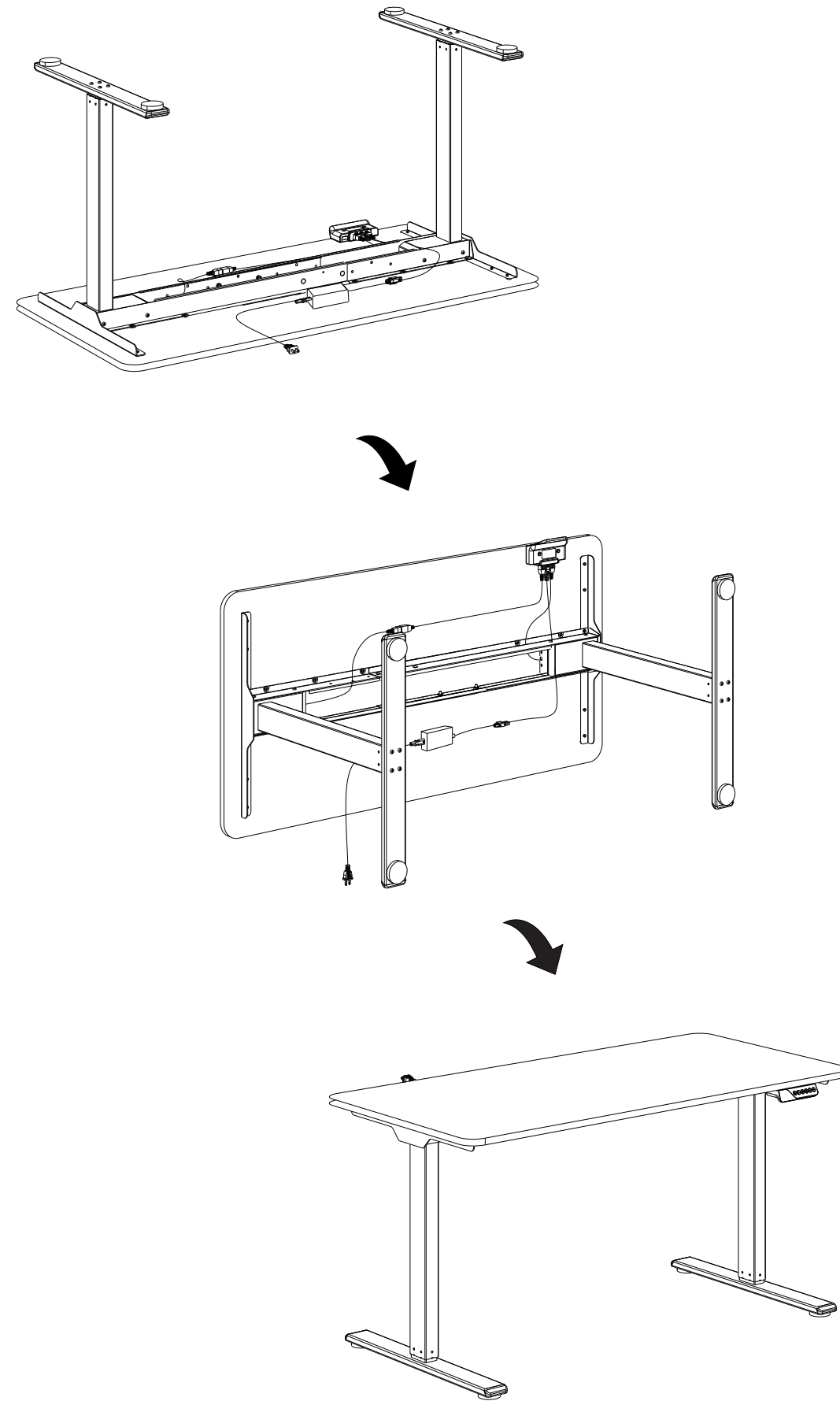


! Connect the power supply after completing the cable connection

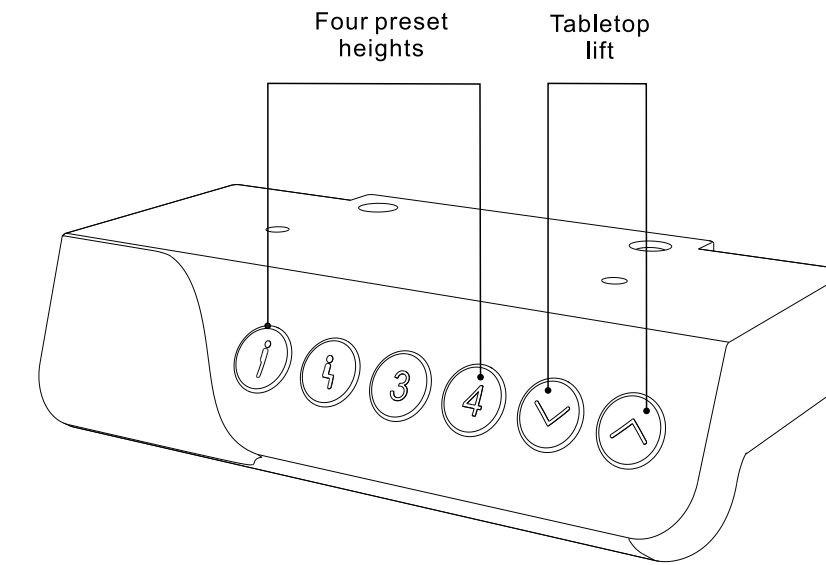


Use Cable clip (11) to secure the various connecting wires to the desktop, keeping the cables tidy.

STEP9 Flip the table



Instructions for using and setting up the handset



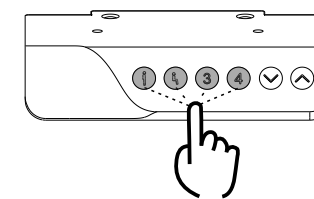
Note

Ensure that there are no obstacles blocking the movement of the table during the lifting process and confirm that all cables are long enough for the table to move up and down.

Suggestion

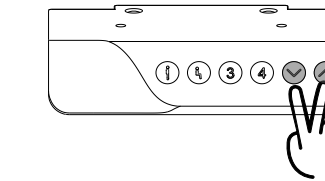
Set the most comfortable height when sitting as "↓" and the most comfortable height when standing as "↑". Additional preset heights can be freely set to other heights.

● **Height Memory Function**



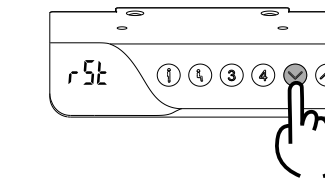
- Press and hold the "↓" button for 3 seconds, and the screen will display "5-1", indicating that the current height has been successfully saved in memory. Then, you can operate the lifting table to any height, and by pressing the "↓" button, it will automatically return to the saved height.
- The "↓", "3", and "4" buttons also have the same height memory function as the "↓" button. By repeating the above steps, you can save the corresponding height in memory. Then, by pressing the respective button, the lifting table will automatically move to the saved height.

● **Adjusting Collision Sensitivity (Optional)**



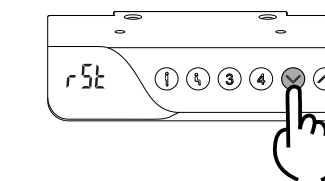
- By simultaneously holding down the "↑" and "↓" keys for 5 seconds, you can switch the sensitivity. One operation will switch to the next level, divided into 4 levels (A-3, A-2, A-1, A-0).
- The display screen shows "A-0", indicating that the collision prevention function is turned off.
The display screen shows "A-1", indicating low sensitivity.
The display screen shows "A-2", indicating medium sensitivity.
The display screen shows "A-3", indicating high sensitivity.
- When the table encounters an obstacle during the process of ascending or descending, it will immediately rebound, providing protection.

● **Reset Function**



- When the display screen shows "r5t", the height-adjustable desk enters the reset state. Press and hold the "↓" button until the desk reaches the lowest position and stops rebounding. The display screen will show the height number. Release the downward button "↓" to complete the reset process.
- When the height-adjustable desk is in a stationary state, simultaneously press and hold the "3" and "4" keys for three seconds to enter the reset mode. Following the above steps will complete the reset process, and it will clear the memorized height settings.

● **Error Code Processing**



- If there are other error codes and pressing the "↓" downward key does not respond, please check that the connecting cable is not damaged and properly connected. Disconnect the power for at least 10 seconds, then reconnect it. The screen will display either "E5f" or "r5t". Press and hold the "↓" downward key to reset.
- If the display shows "E01" or "E02", please allow the table to rest for at least 18 minutes before using it again.
- If the desk still does not function properly after performing the above steps, please contact customer service for assistance.

Troubleshooting

This list is used for checking and solving faults and errors. Please contact the manufacturer if problem you encounter is not on the list below.


| Problem | Solution |
|---|--|
| The electronic functions are unable to operate properly | Check the cable connection |
| Speed of lifting is slow | Check if the load weighs more than 100 kg |
| The worksurface slides downward | |
| The device often enters the reset state | |
| Only descending, not ascending, or only ascending, not descending | Perform a reset operation |
| Insufficient height for ascending and descending | |
| The bottom cannot rise | |
| After exceeding the working duty cycle requirements (Duty cycle: Max 2min on/18min OFF) | Power off for 18 minutes and then reconnect the power |
| When pressing the down key, the device goes up instead | Check if there are any obstacles or hanging cables under the table |



Attention

1. Power supply: AC100V-240V, frequency 50/60Hz.
2. Operating environment: Indoor, 0-40° .
3. Before cleaning, make sure to unplug the power cord. Use a slightly damp cloth to wipe away surface dust, taking care not to let water drip into the internal components or damage the connection wires. Regularly check if screws are loose and tighten them if necessary.
4. The electrical box contains electronic components, metals, plastics, wires, etc. Dispose of it according to the environmental regulations of your country, not as regular household waste.
5. Before using the product, carefully inspect and ensure that it has been correctly installed. Use only the accessories provided by the manufacturer for installation. Leave adequate safety clearance when placing the product to avoid pinch hazards.
6. Before first use, familiarize yourself with all the functions and program settings of the product.
7. Children are not allowed to play on this product. Certain unpredictable behaviors may result from children playing on the product, and the manufacturer will not be responsible for any resulting accidents.
8. Slight noises from the multi-belt or brake system caused by the structure will not affect the use of the equipment.
9. The use of corrosive or abrasive materials for cleaning equipment is prohibited. Make sure that the cleaning agents used will not contaminate the environment.
10. Operate the equipment only after understanding the relevant hazards. Children under the age of 14 or individuals with physical or sensory impairments or mental disabilities should use the equipment under proper supervision and guidance. Children should not have unattended access to the product.
11. Children should not perform cleaning and user maintenance without supervision.
12. In case of power cord damage, it must be replaced by the manufacturer or relevant professionals to avoid injury.
13. Ensure that your operating environment is free of any potential hazards, such as not littering tools. Always handle packaging materials with caution to avoid various potential dangers, such as the choking hazard posed by children playing with plastic bags.
14. When moving the product, ensure that there are no items placed on the table, the drawers and doors are closed securely, screws are tightened, and the power plug is unplugged. Use at least 2 people for moving. If necessary, keep the original packaging for future transportation.
15. When storing for a long time, unplug the power cord and clean out any loose objects. Store it in a cool and dry place.
16. This product contains small parts that can pose a choking hazard if swallowed accidentally. Keep these small accessories away from children.

Waste disposal



This marking indicates that this product should not be disposed with other household wastes. To prevent possible harm to the environment or human health from uncontrolled waste disposal, recycle it responsibly to promote the sustainable reuse of material resources. To return your used device, please use the return and collection systems or contact the retailer where the product was purchased. They can take this product for environmental safe recycling.